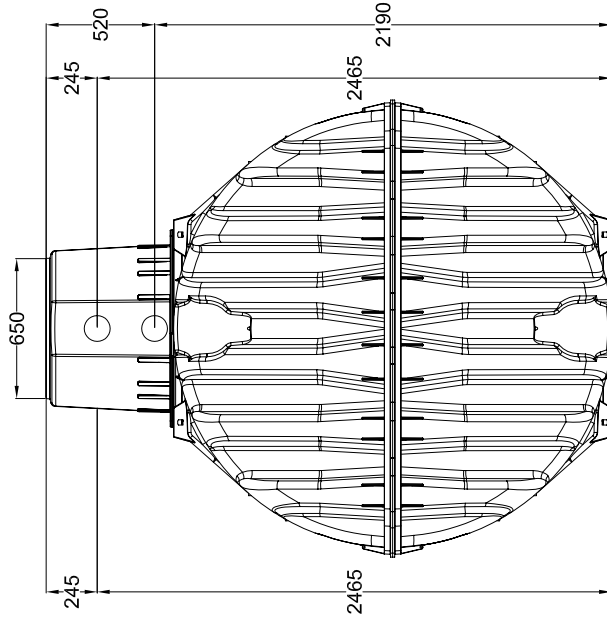




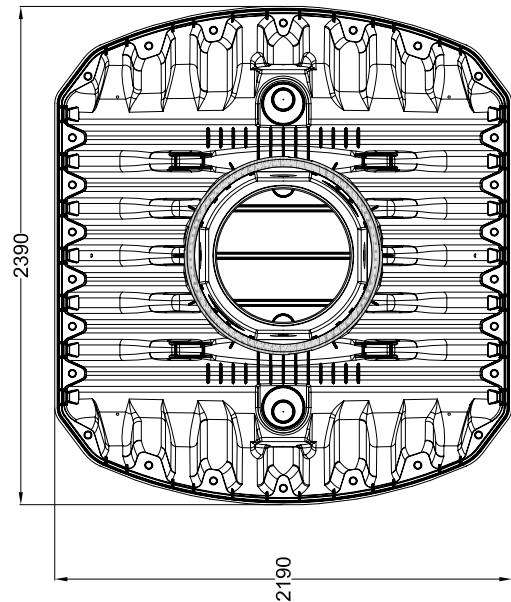
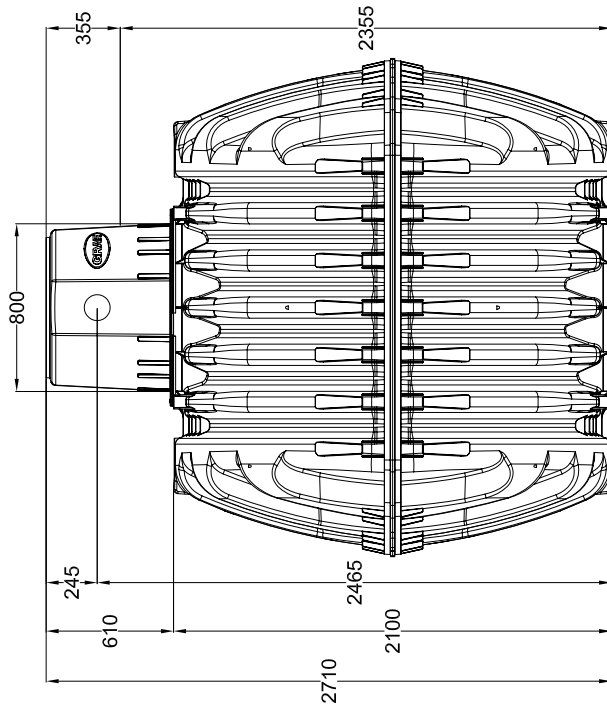
Regenwasser-Erdtank-Carat  
6500 Liter

Artikel-Nr.

370004



**INVERT LEVELS.** The Optimax filter can be fitted in the dome (the grey turret) either a) lower (normal) position, gutter in 355mm, out to waste 520mm, all figures being the drop below the top of the dome, or b) upper position, in 245mm, out 355mm. In the upper position the filter is at a different angle and should only be used if necessary. The hole at 355mm is on the other side of the dome from the two shown in the image on the right here.



alle Maße +/- 3 % Toleranz

Otto Graf GmbH  
Kunststofferzeugnisse  
79331 Teningen

Carl-Zeiss-Str. 2-6  
Telefon 07641/589-0  
Telefax 07641/589-50  
Email: info@graf-online.de  
www.graf-online.de

Änderung

Datum

Name

Gewicht 220 kg

Ausgabe 01/07

Blatt 1 von 1