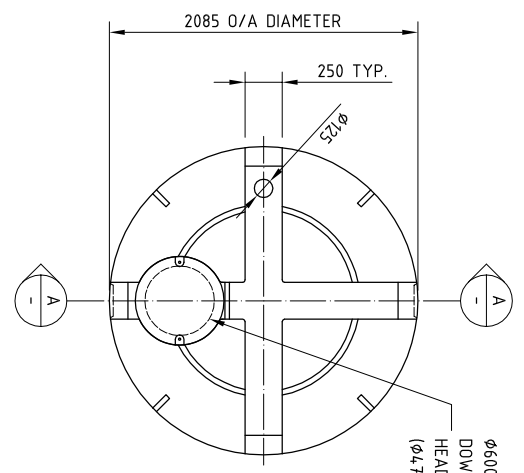
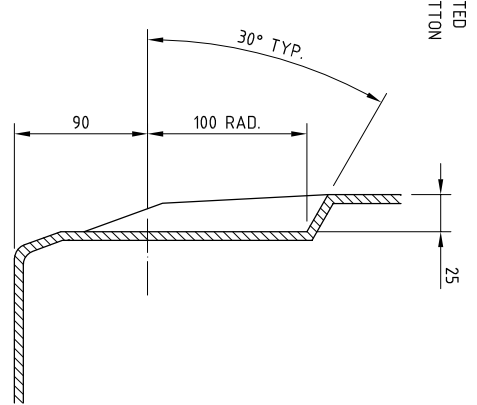


DETAIL 'Y'

- GENERAL NOTES :**
1. TANK IS AVAILABLE WITH FITTINGS WHERE REQUESTED.
 2. ALL DIMENSIONS ARE APPROXIMATE AND ARE FOR INFORMATION ONLY.
 3. ALLOW FOR EXPANSION WHEN TANK IS FULL.
 4. SITE FOUNDATIONS TO ACCOMMODATE WEIGHT OF TANK PLUS CONTENTS.
 5. ENSURE ALL EXTERNAL PIPEWORK IS FULLY & INDEPENDENTLY SUPPORTED.



PLAN VIEW



DETAIL 'X'

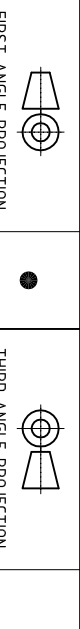
| | | | | | |
|-------|--------------|----|-----|-----|----------|
| 01 | FIRST ISSUE | KG | BB | BB | 31/08/11 |
| ISSUE | MODIFICATION | BY | CHK | APV | DATE |

BALMORAL TANKS

Balmoral Park, Lornston, Aberdeen AB12 3QV, Scotland
 Telephone +44 (0)1224 889000 Fax +44 (0)1224 889099
 E-mail group@balmoral.co.uk



THIS DRAWING IS COPYRIGHT AND IS ISSUED ON CONDITION THAT IT IS NOT COPIED, REPRODUCED OR DISCLOSED TO A THIRD PARTY WITHOUT CONSENT IN WRITING OF BALMORAL GROUP LTD., ABERDEEN



ALL DIMENSIONS IN MILLIMETRES UNLESS STATED OTHERWISE - DO NOT SCALE IF IN DOUBT - ASK

TANK RANGE
WATER STORAGE TANKS

DRAWING TITLE
7270 - GENERAL ARRANGEMENT WITHOUT FITTINGS.

| | | | |
|-----------------------|---------------------------|----------------------------|---------------------------|
| DRAWN BY K. Gibson | CHECKED BY B. Bakewell | APPROVED BY B. Bakewell | DRAWING No. RT013-2-13 |
| SCALE 1:35 | DATE April 2011 | SHEET SIZE A3 | TYPE STD. DRG. |